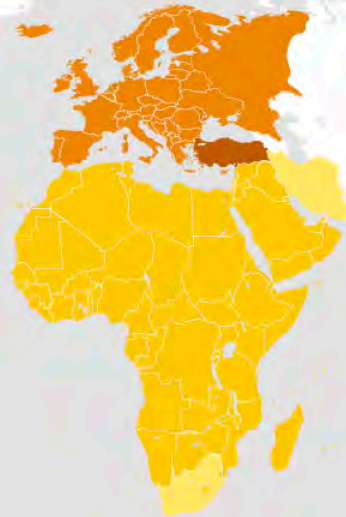


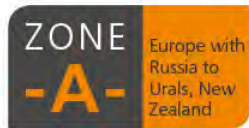
YOUR GUARANTEES

FOR SUSPENSION TYPE INTRA AND MODUL
UP TO 9 TONNES AXLE LOAD

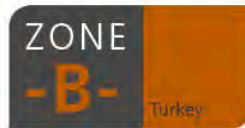


WE BELIEVE IN QUALITY.

Supported by the further development of our products and the continuous improvement of our quality standard, we are doubling and tripling our warranty period – straightforwardly and without the need for an additional service check. Find out which guarantee you will receive for your INTRA and INTRA CD and the MODUL suspension in the respective region from January 2017.



from p. 4



from p. 12



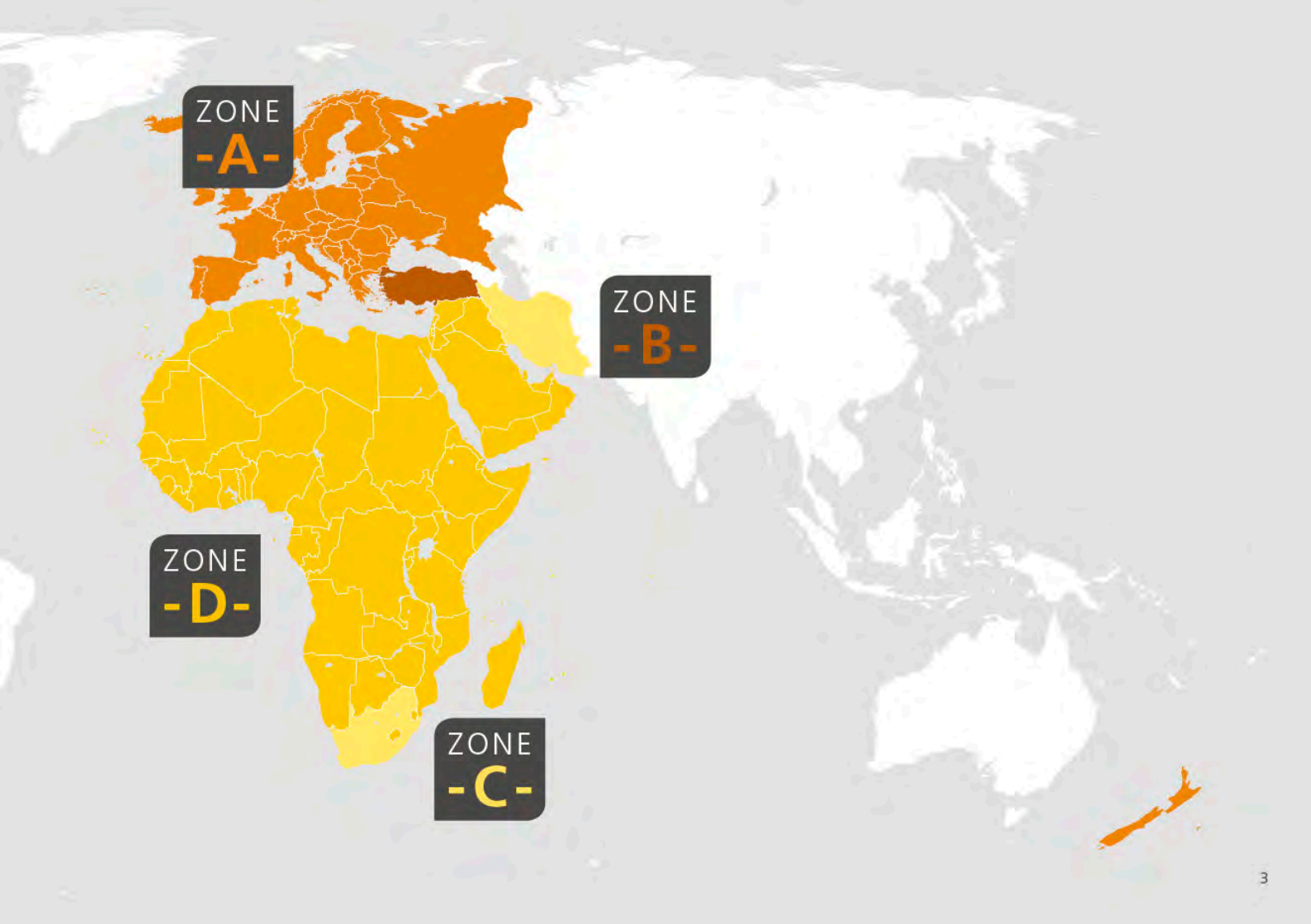
from p. 20



from p. 28

The guarantee zones are based on the vehicle approval country.





ZONE
-A-

ZONE
-B-

ZONE
-D-

ZONE
-C-



ZONE

- A -

COUNTRIES ZONE A:

<i>Albania</i>	<i>Moldavia</i>
<i>Andorra</i>	<i>Monaco</i>
<i>Belgium</i>	<i>Montenegro</i>
<i>Bosnia and Herzegovina</i>	<i>New Zealand</i>
<i>Bulgaria</i>	<i>Netherlands</i>
<i>Denmark</i>	<i>Norway</i>
<i>Germany</i>	<i>Austria</i>
<i>Estonia</i>	<i>Poland</i>
<i>Finland</i>	<i>Portugal</i>
<i>France</i>	<i>Romania</i>
<i>Greece</i>	<i>Sweden</i>
<i>Ireland</i>	<i>Switzerland</i>
<i>Iceland</i>	<i>Serbia</i>
<i>Italy</i>	<i>Slovakia</i>
<i>Kazakhstan</i>	<i>Slovenia</i>
<i>Kosovo</i>	<i>Spain</i>
<i>Croatia</i>	<i>Czech Republic</i>
<i>Latvia</i>	<i>Russia to Urals</i>
<i>Liechtenstein</i>	<i>Ukraine</i>
<i>Lithuania</i>	<i>Hungary</i>
<i>Luxembourg</i>	<i>United Kingdom</i>
<i>Malta</i>	
<i>Macedonia</i>	





SAF MODUL

Thanks to numerous combination options, you receive an optimal suspension system for your transport tasks.



SAF INTRA CD

Specially optimised for specific transport requirements and poor road conditions.



SAF INTRA

The INTRA family has set new standards – both at home and on an international level. Today, after having been proven and tested millions of times, it is distinguished by its particularly high economic efficiency. Precisely matched to the specific transportation task, INTRA provides – in its different versions – ideal and above all safe solutions for the 9-t range. And does so regardless of which area of application is required – for less wear and tear and more planning reliability.

ALL AXLES AVAILABLE
WITH DISC
OR DRUM BRAKE

RECOMMENDED USE

ZONE A

APPLICATION	container, tanker, silo	walking floor	curtain, box, cooler, platform, lafette, trailer	tipper, wood	low-loader
INTRA	S	-	S	-	-
INTRA CD	O	S	O	S	-
MODUL	O	O	O	O	S

All guarantees apply subject to compliance with the recommended use (marked with **S**)!
 In the event of non-compliance with recommended use, we would request that you lodge
 the applicable guarantee claim with your sales consultant.

S = standard
O = optional

GUARANTEE ZONE A

SAF INTRA/
SAF INTRA CD



elastomer parts and
caliper guide bearings
on brake caliper

GUARANTEE

2 years

brake pads

GUARANTEE

2 Jahre

19.5" SAF INTEGRAL
brake disc

GUARANTEE

2 years 350,000 km*

22.5" SAF INTEGRAL
brake disc

GUARANTEE

3 years 500,000 km*

compact bearing
incl. exciter ring

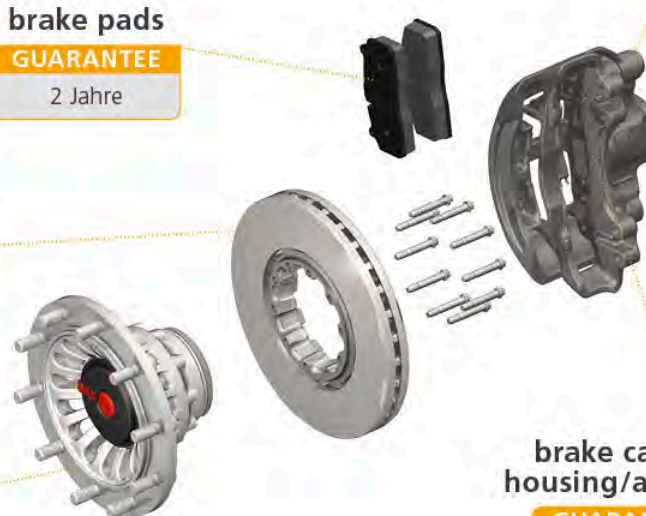
GUARANTEE

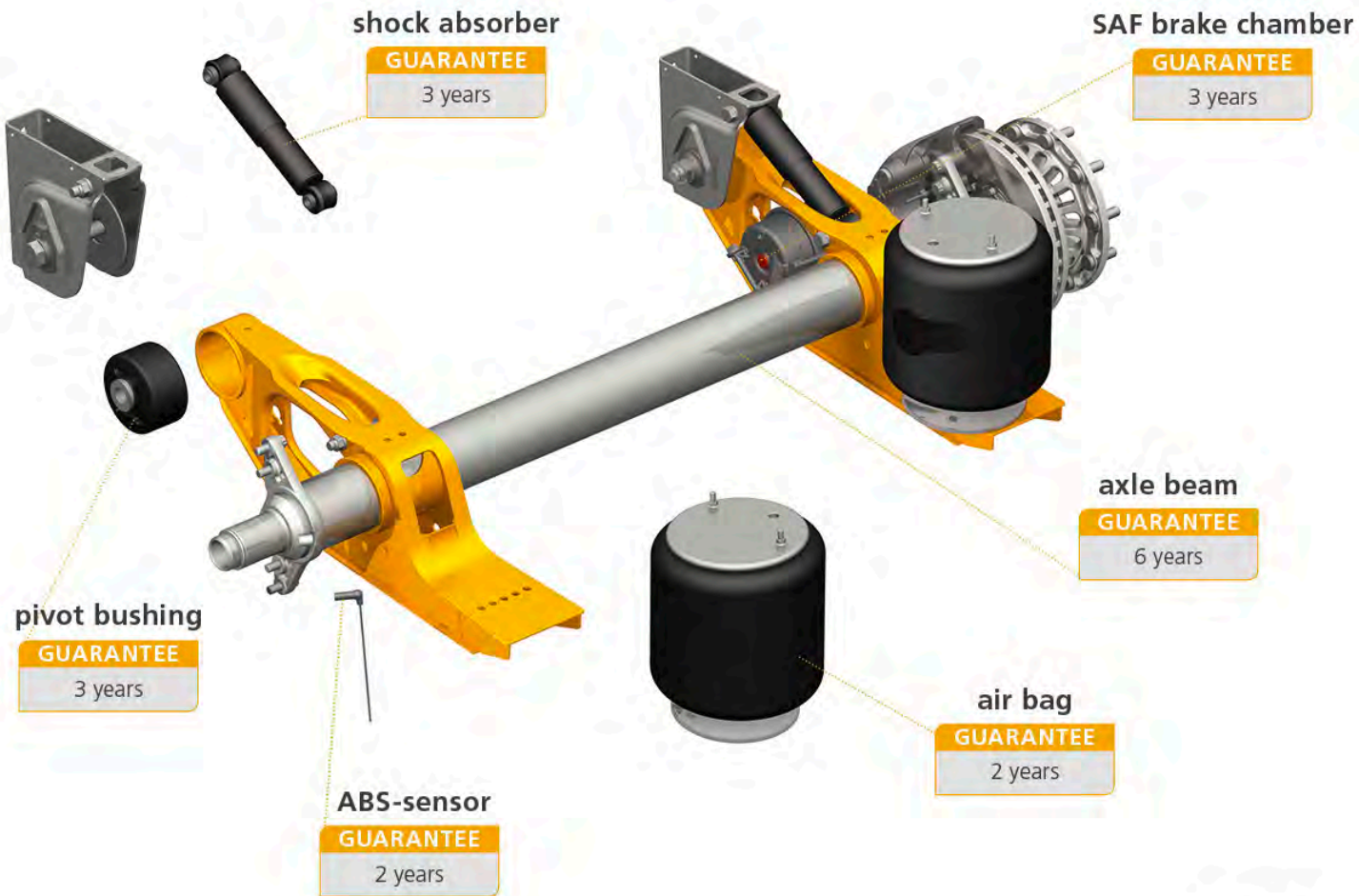
6 years

brake caliper
housing/adjuster

GUARANTEE

6 years



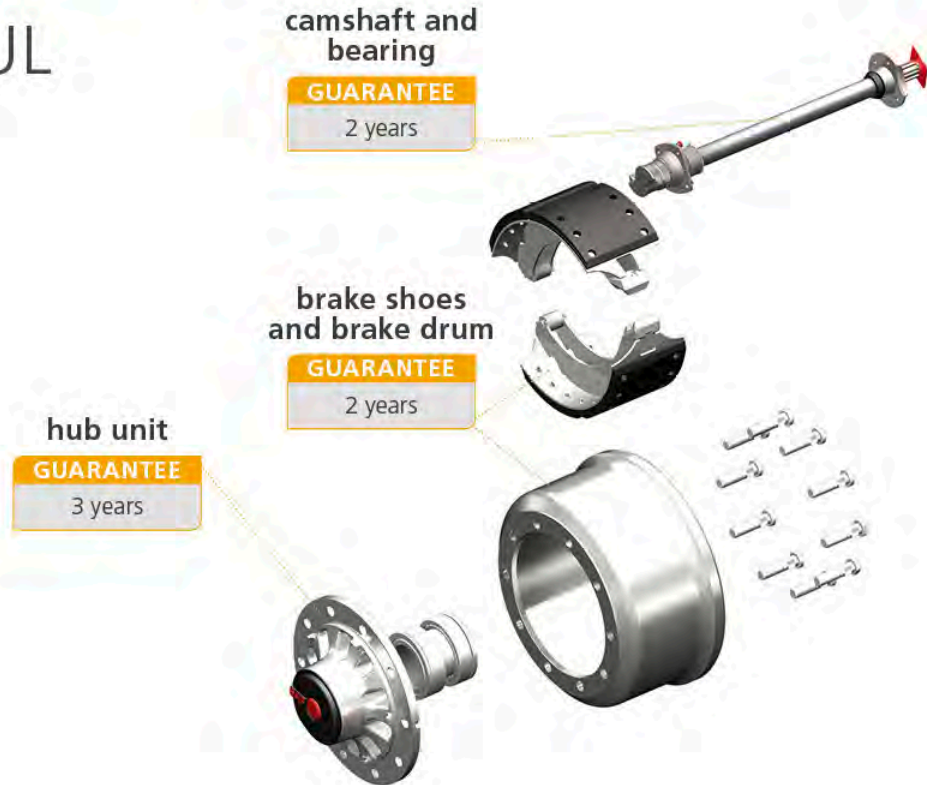


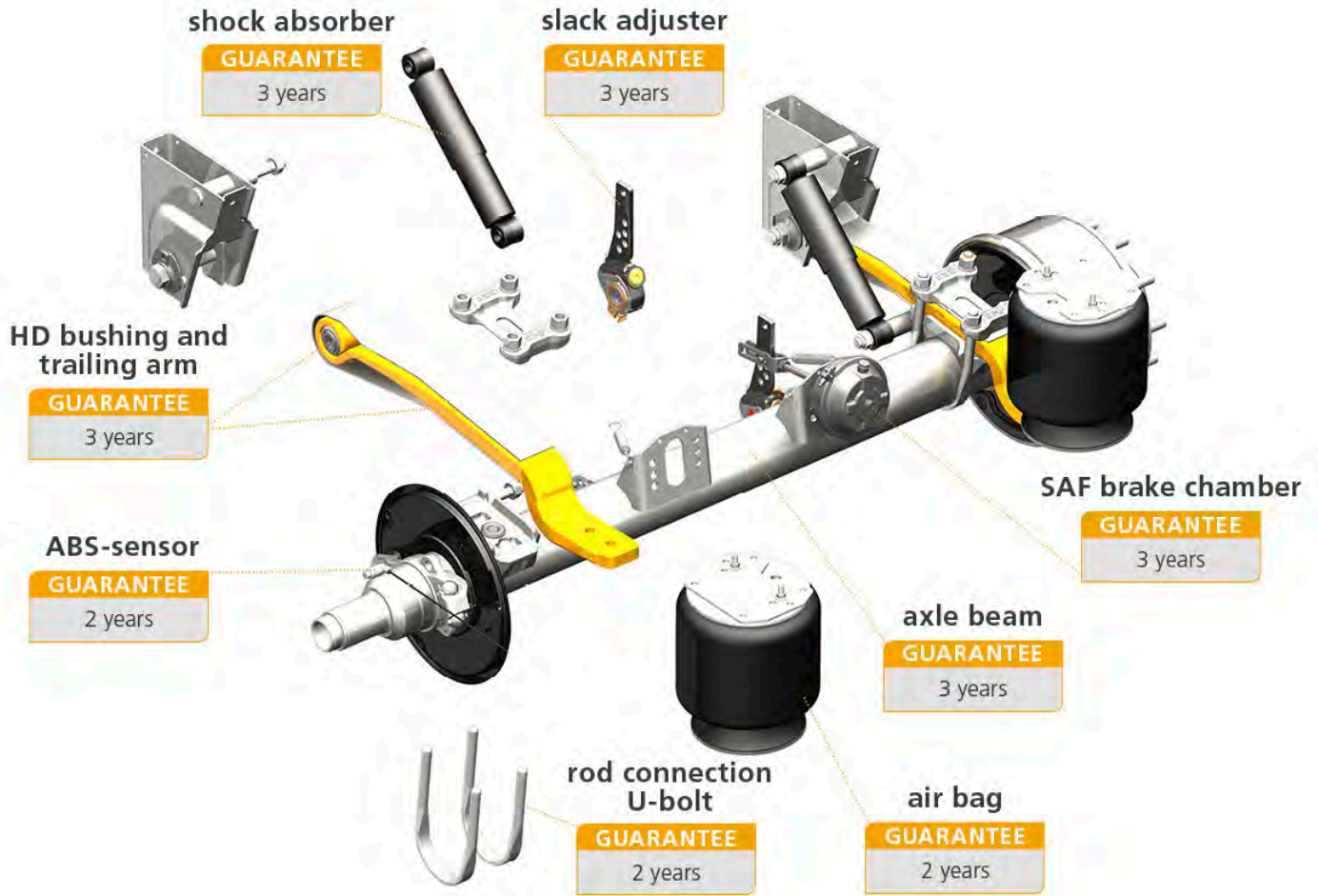
* kilometres driven

Guarantees apply subject to compliance with the recommended use. All unmarked components are subject to the two-year warranty.

GUARANTEE ZONE A

SAF MODUL





Guarantees apply subject to compliance with the recommended use. All unmarked components are subject to the two-year warranty.



ZONE

- B -

COUNTRIES ZONE B:

Turkey





SAF MODUL

Thanks to numerous combination options, you receive an optimal suspension system for your transport tasks.



SAF INTRA CD

Specially optimised for specific transport requirements and poor road conditions.



SAF INTRA

The INTRA family has set new standards – both at home and on an international level. Today, after having been proven and tested millions of times, it is distinguished by its particularly high economic efficiency. Precisely matched to the specific transportation task, INTRA provides – in its different versions – ideal and above all safe solutions for the 9-t range. And does so regardless of which area of application is required – for less wear and tear and more planning reliability.

ALL AXLES AVAILABLE
WITH DISC
OR DRUM BRAKE

RECOMMENDED USE

ZONE B

APPLICATION	container, tanker, silo	walking floor	curtain, box, cooler, platform, lafette, trailer	tipper, wood	low-loader
INTRA	-	-	S	-	-
INTRA CD	S	S	O	-	-
MODUL	O	O	O	S	S

All guarantees apply subject to compliance with the recommended use (marked with **S**)!
In the event of non-compliance with recommended use, we would request that you lodge
the applicable guarantee claim with your sales consultant.

S = standard
O = optional

GUARANTEE ZONE B

SAF INTRA
SAF INTRA CD



elastomer parts and
caliper guide bearings
on brake caliper

GUARANTEE

1 year

brake pads

GUARANTEE

1 year

19.5" SAF INTEGRAL
brake disc

GUARANTEE

2 years 350,000 km*

22.5" SAF INTEGRAL
brake disc

GUARANTEE

3 years 500,000 km*

compact bearing
incl. exciter ring

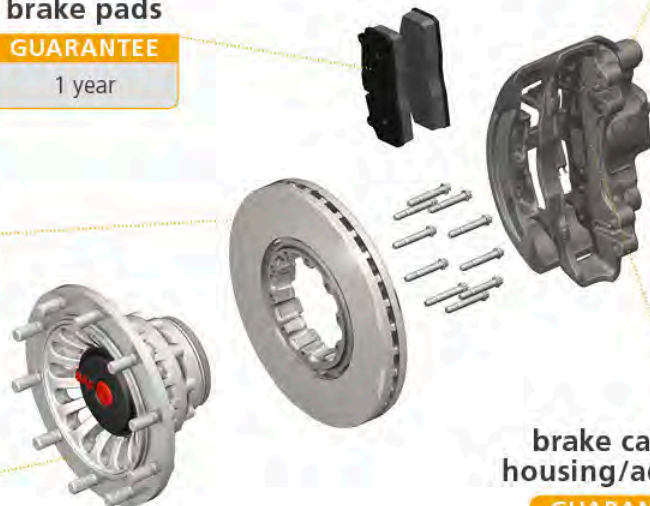
GUARANTEE

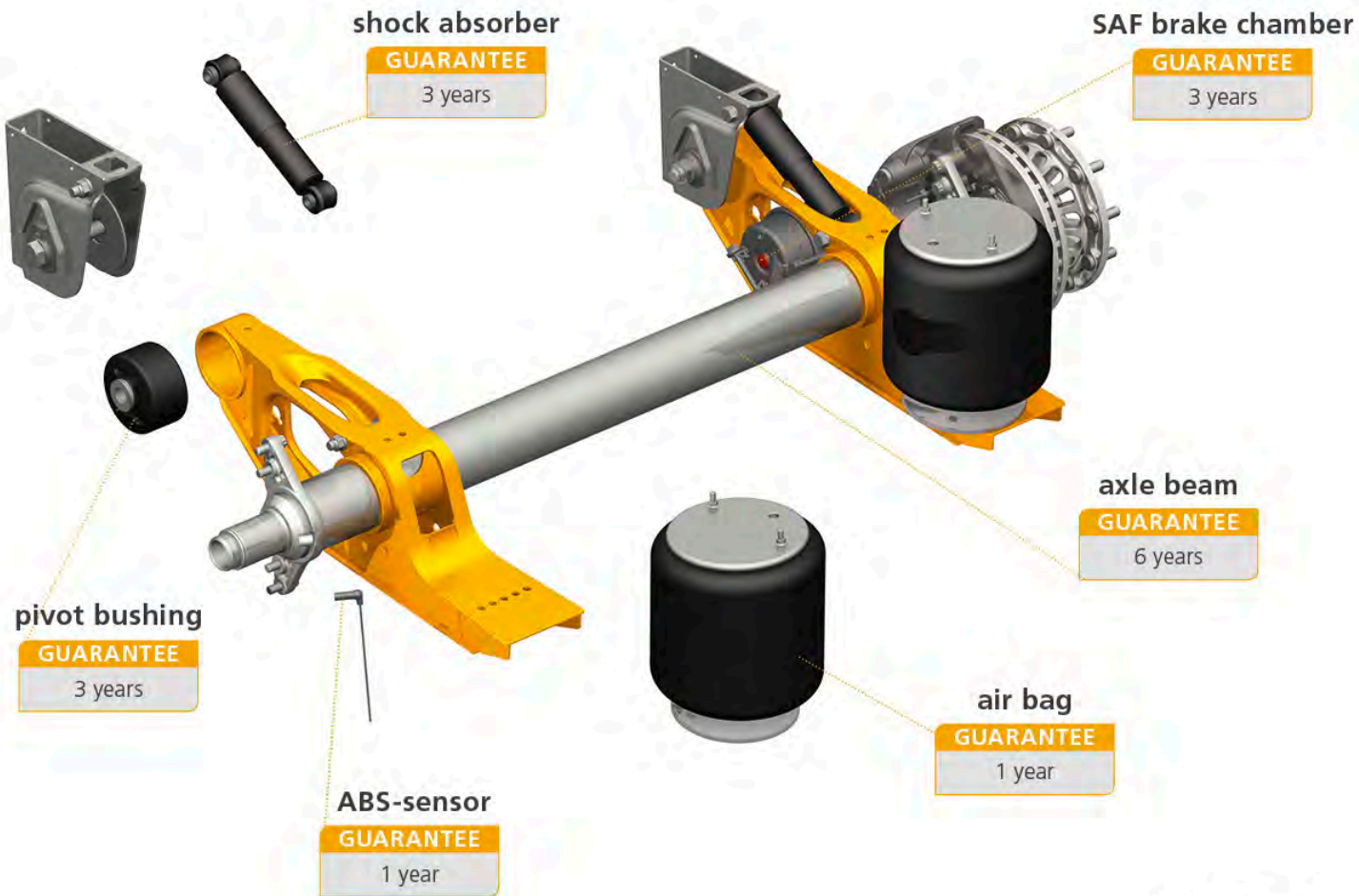
6 years

brake caliper
housing/adjuster

GUARANTEE

6 years





* kilometres driven

Guarantees apply subject to compliance with the recommended use. All unmarked components are subject to the one-year warranty.

GUARANTEE ZONE B

SAF MODUL

camshaft and bearing

GUARANTEE

1 year

brake shoes and brake drum

GUARANTEE

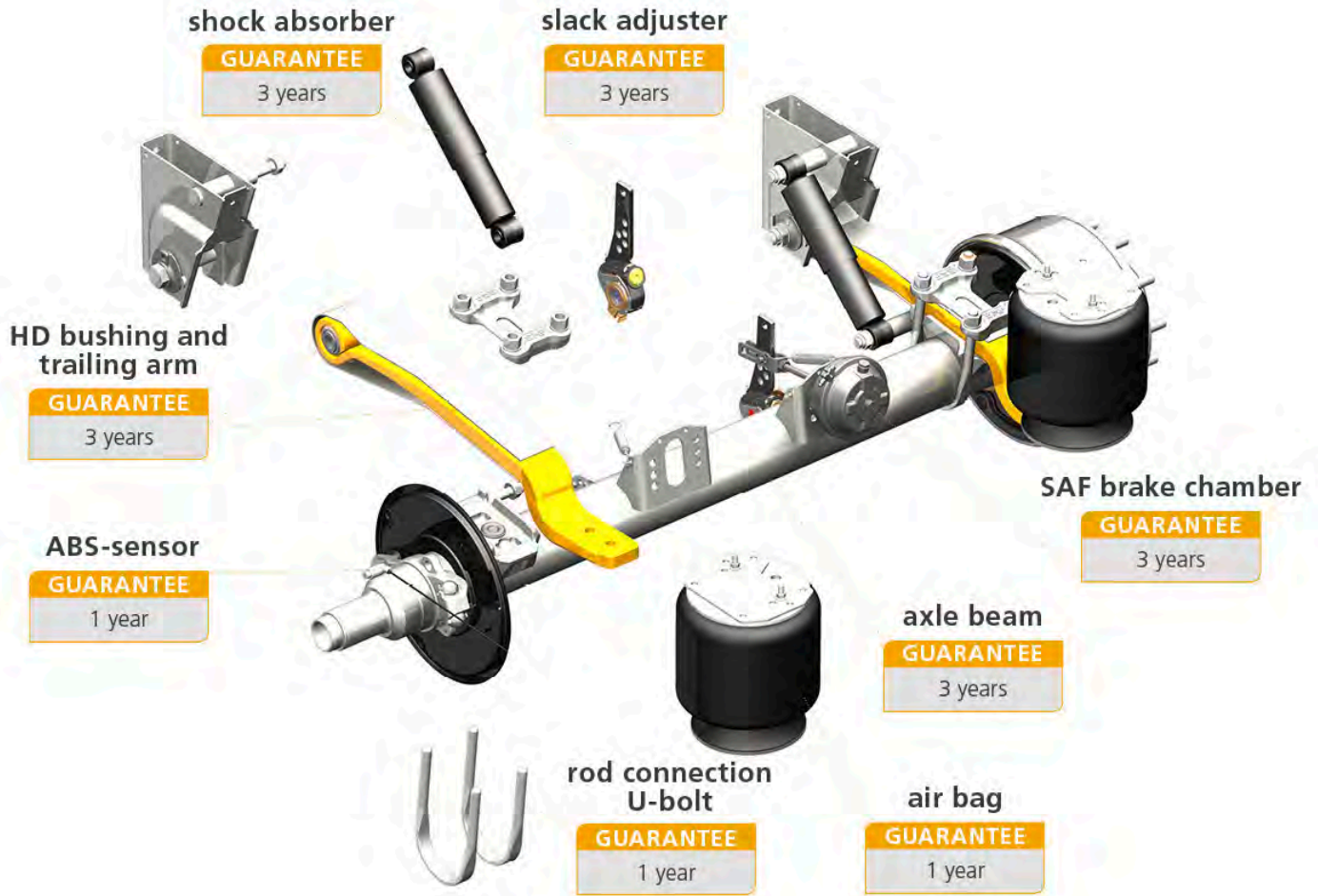
1 year

hub unit

GUARANTEE

3 years





Guarantees apply subject to compliance with the recommended use. All unmarked components are subject to the one-year warranty.



ZONE

- C -

COUNTRIES ZONE C:

Iran

South Africa





SAF MODUL

Thanks to numerous combination options, you receive an optimal suspension system for your transport tasks.



SAF INTRA CD

Specially optimised for specific transport requirements and poor road conditions.



SAF INTRA

The INTRA family has set new standards – both at home and on an international level. Today, after having been proven and tested millions of times, it is distinguished by its particularly high economic efficiency. Precisely matched to the specific transportation task, INTRA provides – in its different versions – ideal and above all safe solutions for the 9-t range. And does so regardless of which area of application is required – for less wear and tear and more planning reliability.

ALL AXLES AVAILABLE
WITH DISC
OR DRUM BRAKE

RECOMMENDED USE

ZONE C

APPLICATION	container, tanker, silo	walking floor	curtain, box, cooler, platform, lafette, trailer	tipper, wood	low-loader
INTRA	O	–	O	–	–
INTRA CD	S	S	S	O*	–
MODUL	O	O	O	S	S

All guarantees apply subject to compliance with the recommended use (marked with **S**)! In the event of non-compliance with recommended use, we would request that you lodge the applicable guarantee claim with your sales consultant.

S = standard
O = optional

* not for side tippers

GUARANTEE ZONE C

SAF INTRA
SAF INTRA CD



elastomer parts and
caliper guide bearings
on brake caliper

GUARANTEE

1 year

brake pads

GUARANTEE

1 year

19.5" SAF INTEGRAL
brake disc

GUARANTEE

2 years 350,000 km*

22.5" SAF INTEGRAL
brake disc

GUARANTEE

3 years 500,000 km*

compact bearing
incl. exciter ring

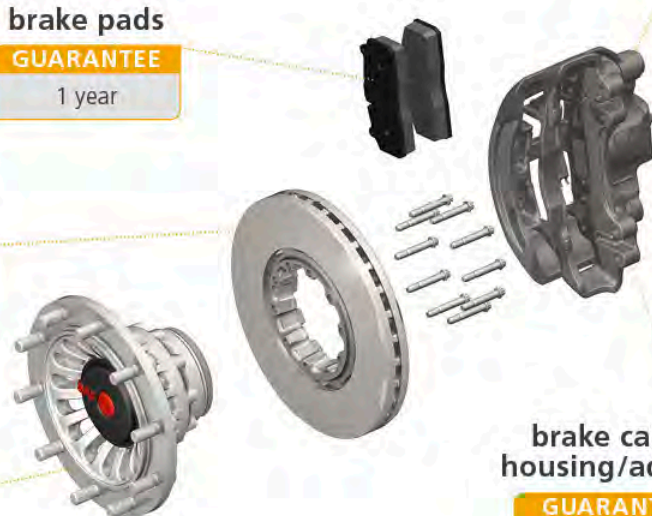
GUARANTEE

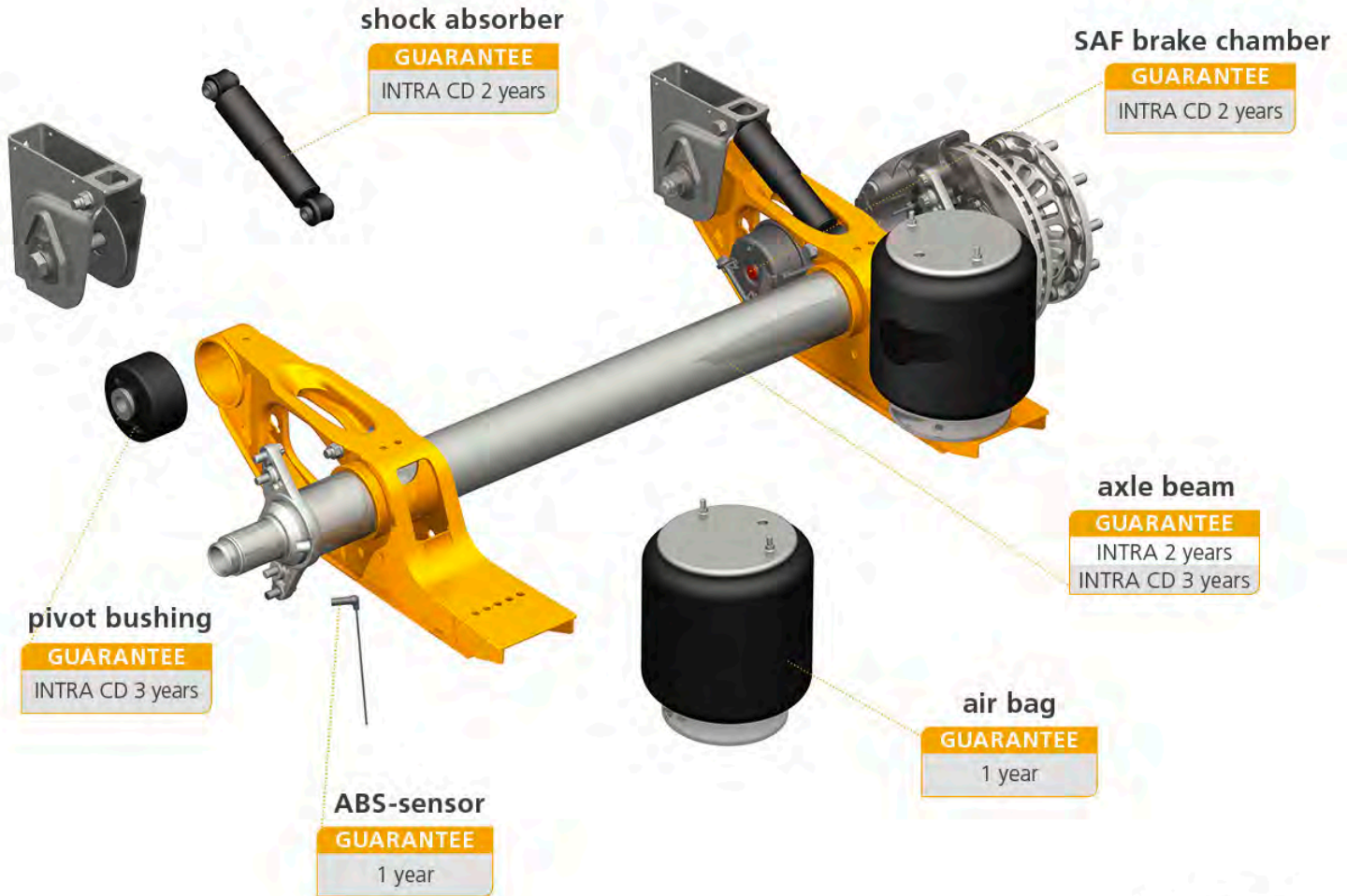
INTRA CD 3 years

brake caliper
housing/adjuster

GUARANTEE

INTRA CD 3 years



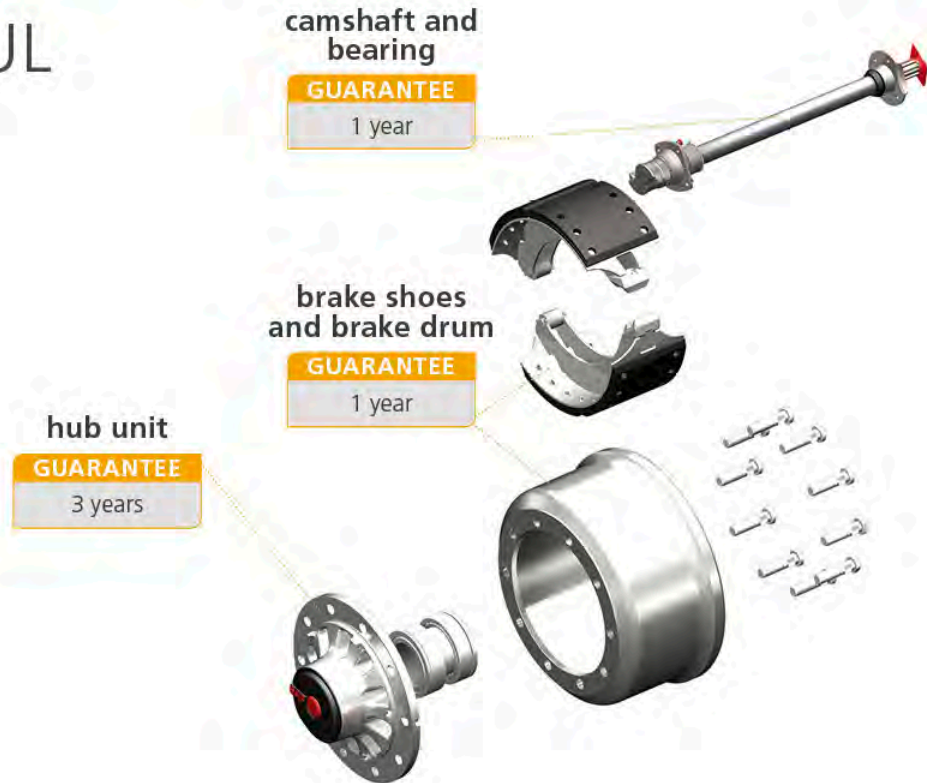


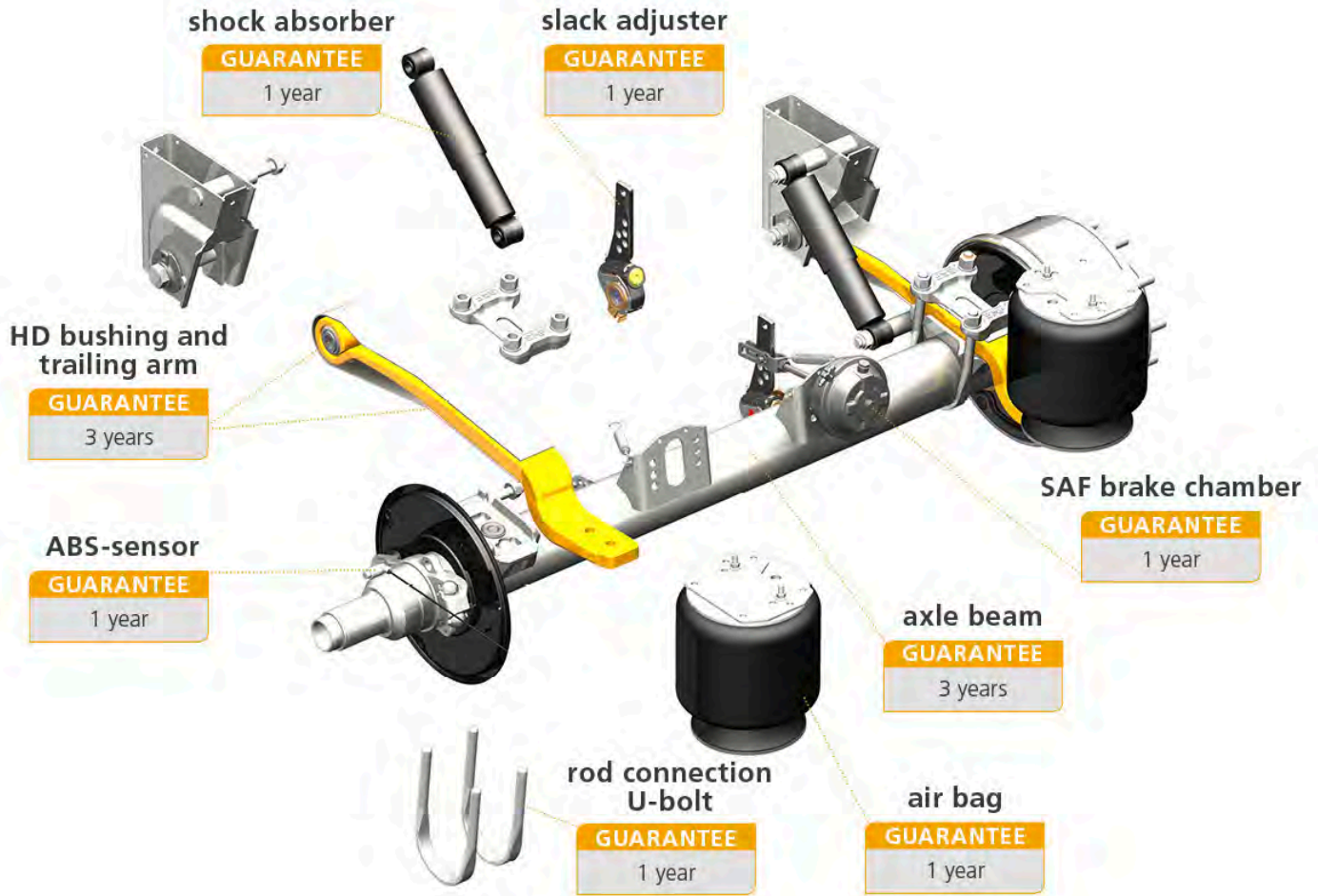
* kilometres driven

Guarantees apply subject to compliance with the recommended use. All unmarked components are subject to the one-year warranty.

GUARANTEE ZONE C

SAF MODUL





Guarantees apply subject to compliance with the recommended use. All unmarked components are subject to the one-year warranty.



ZONE -D-

COUNTRIES ZONE D:

<i>Egypt</i>	<i>Qatar</i>	<i>Oman</i>
<i>Algeria</i>	<i>Cap Verde</i>	<i>Palestine</i>
<i>Angola</i>	<i>Kenya</i>	<i>Rwanda</i>
<i>Equatorial Guinea</i>	<i>Comoros</i>	<i>Zambia</i>
<i>Ethiopia</i>	<i>Kuwait</i>	<i>Saudi-Arabia</i>
<i>Bahrain</i>	<i>Democratic Republic of the Congo</i>	<i>São Tomé and Príncipe</i>
<i>Benin</i>	<i>Republic of the Congo</i>	<i>Senegal</i>
<i>Botswana</i>	<i>Lesotho</i>	<i>Seychelles</i>
<i>Burkina Faso</i>	<i>Lebanon</i>	<i>Sierra Leone</i>
<i>Burundi</i>	<i>Liberia</i>	<i>Zimbabwe</i>
<i>Djibouti</i>	<i>Libya</i>	<i>Somalia</i>
<i>Ivory Coast</i>	<i>Madagascar</i>	<i>South Sudan</i>
<i>Eritrea</i>	<i>Malawi</i>	<i>Sudan</i>
<i>Gabon</i>	<i>Mali</i>	<i>Swaziland</i>
<i>Gambia</i>	<i>Morocco</i>	<i>Syria</i>
<i>Ghana</i>	<i>Mauritania</i>	<i>Tanzania</i>
<i>Guinea</i>	<i>Mauritius</i>	<i>Togo</i>
<i>Guinea-Bissau</i>	<i>Mozambique</i>	<i>Chad</i>
<i>Irak</i>	<i>Namibia</i>	<i>Tunisia</i>
<i>Israel</i>	<i>Niger</i>	<i>Uganda</i>
<i>Yemen</i>	<i>Nigeria</i>	<i>United Arab Emirates</i>
<i>Jordan</i>		<i>Central African Republic</i>
<i>Cameroon</i>		





SAF MODUL

Thanks to numerous combination options, you receive an optimal suspension system for your transport tasks.



SAF INTRA CD

Specially optimised for specific transport requirements and poor road conditions.



SAF INTRA

The INTRA family has set new standards – both at home and on an international level. Today, after having been proven and tested millions of times, it is distinguished by its particularly high economic efficiency. Precisely matched to the specific transportation task, INTRA provides – in its different versions – ideal and above all safe solutions for the 9-t range. And does so regardless of which area of application is required – for less wear and tear and more planning reliability.

ALL AXLES AVAILABLE
WITH DISC
OR DRUM BRAKE

RECOMMENDED USE

ZONE D

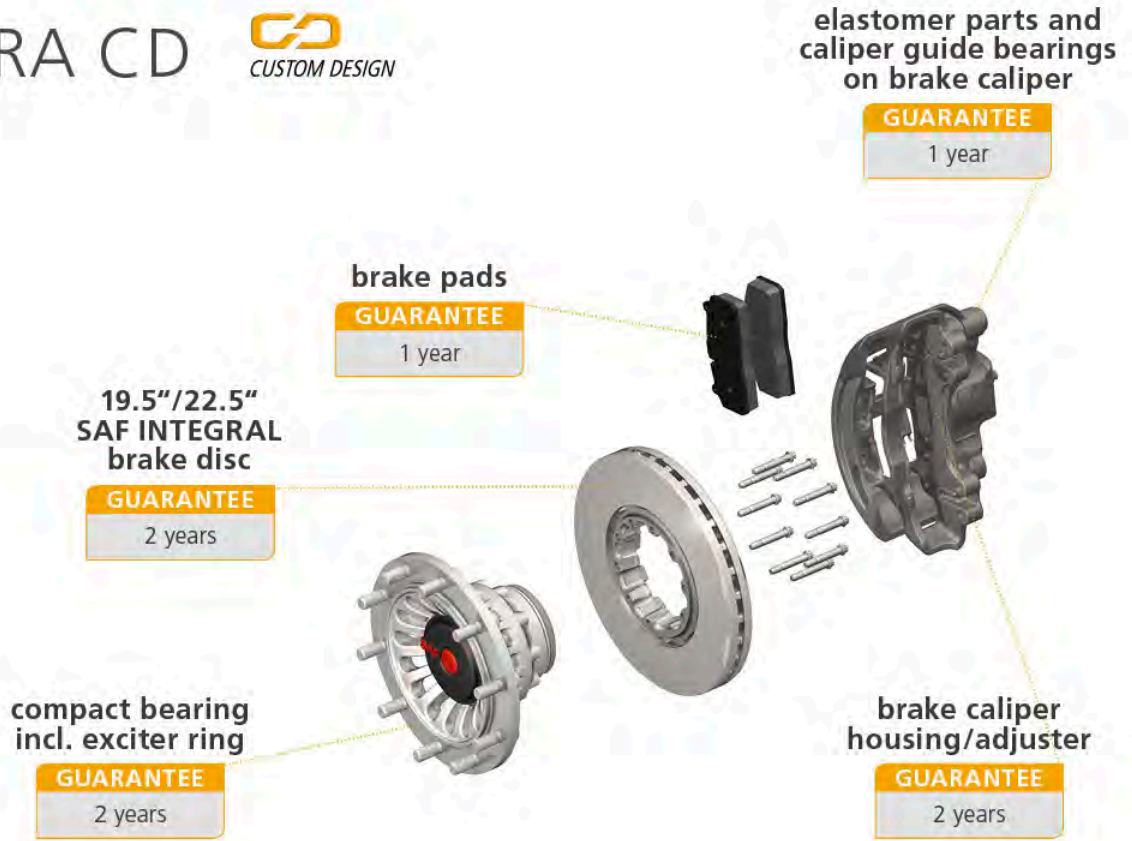
APPLICATION	container, tanker, silo	walking floor	curtain, box, cooler, platform, lafette, trailer	tipper, wood	low-loader
INTRA CD	S	S	S	-	-
MODUL	O	O	O	S	S

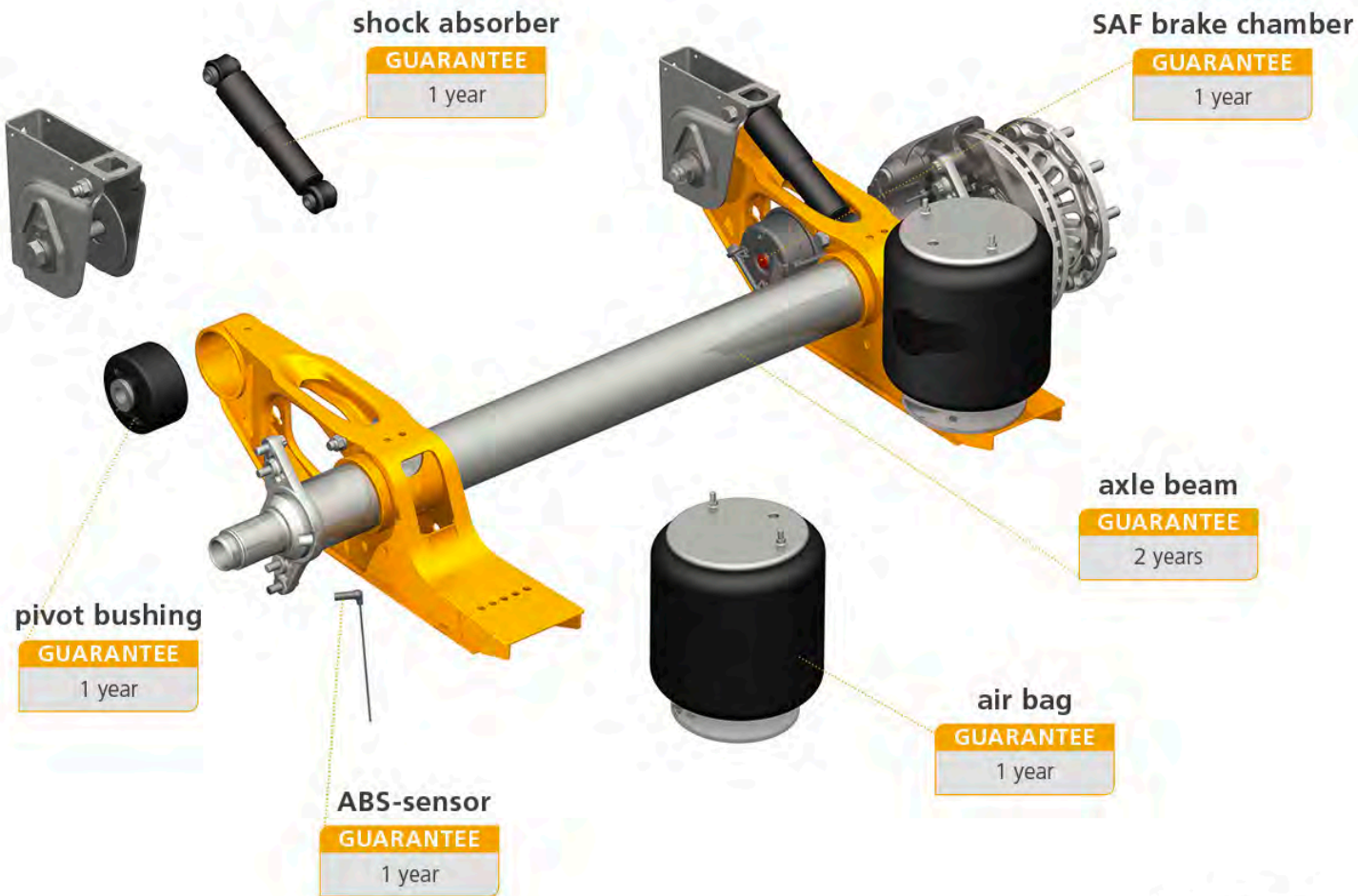
All guarantees apply subject to compliance with the recommended use (marked with **S**)!
 In the event of non-compliance with recommended use, we would request that you lodge
 the applicable guarantee claim with your sales consultant.

S = standard
O = optional

GUARANTEE ZONE D

SAF INTRA CD



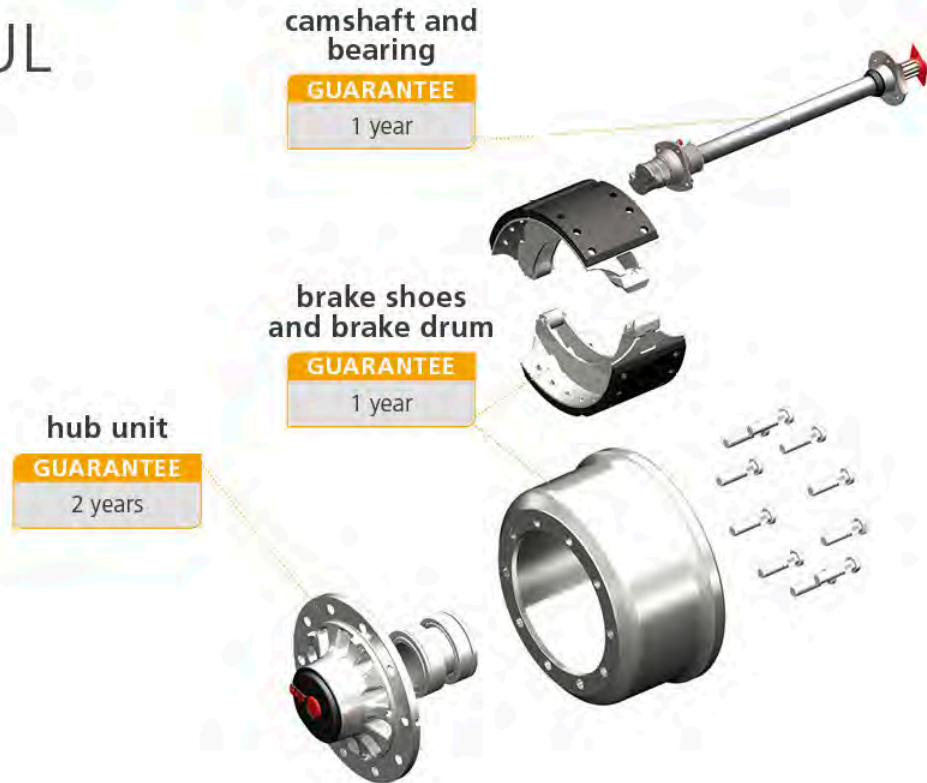


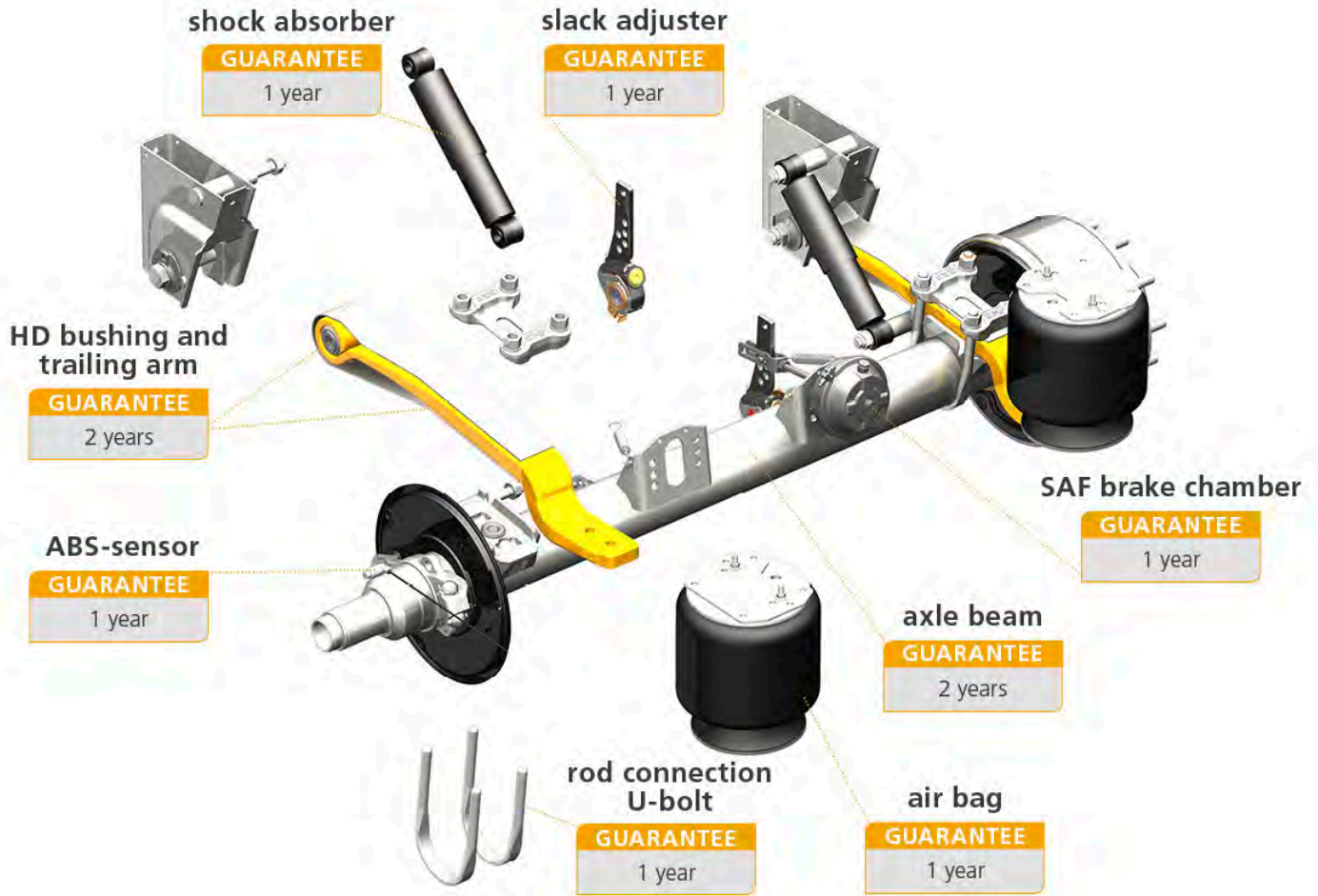
* kilometres driven

Guarantees apply subject to compliance with the recommended use. All unmarked components are subject to the one-year warranty.

GUARANTEE ZONE D

SAF MODUL





Guarantees apply subject to compliance with the recommended use. All unmarked components are subject to the one-year warranty.

safholland.com

SAF-HOLLAND GmbH

Hauptstrasse 26 · 63856 Bessenbach · Germany
Tel +49 6095 301-0 · info@safholland.de